

LeatherCreations™

custom-crafted leather furniture



Matinee

THIS LEATHER CREATIONS ORIGINAL HAS:

- ✓ Stainless Steel or Black Metal Cup Holders
- ✓ Chaise Seat Cushion
- ✓ Attached and Refillable Back
- ✓ Extended Footrest
- ✓ Wallhugger
- ✓ Kiln Dried Hardwood Frames
- ✓ Lifetime Warranty on Cushions
- ✓ Lifetime Filling on Pillows
- ✓ Steel Tempered Mechanism

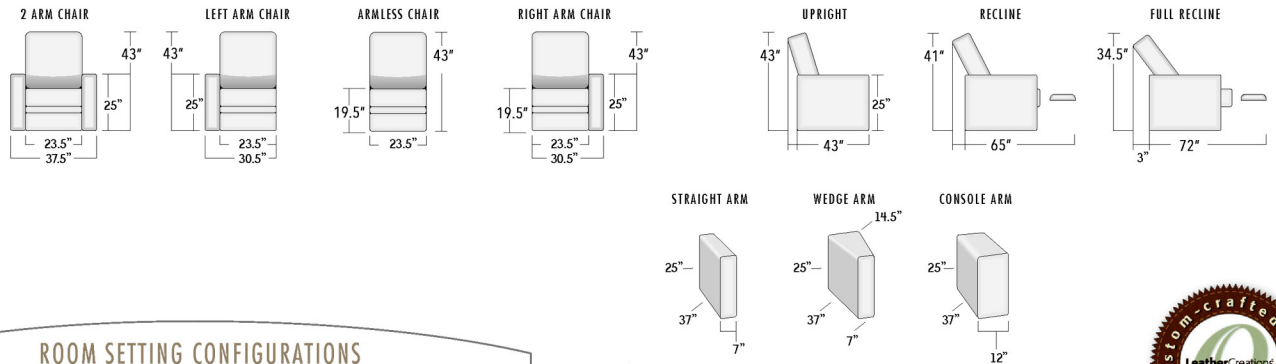
...AND YOU CAN SELECT:

- ✓ Change Stitch
- ✓ Table and Storage Tubes
- ✓ Power Recline
- ✓ Extra Firm Cushion
- ✓ Swivel Glider (without Wallhugger Feature)
- ✓ Down Filled Backs
- ✓ Storage Arm
- ✓ Pillow Back

these are just a few of the almost unlimited options available. You choose features, shape and size!

You'd expect furniture like this to cost more.
The nice thing is – it doesn't.

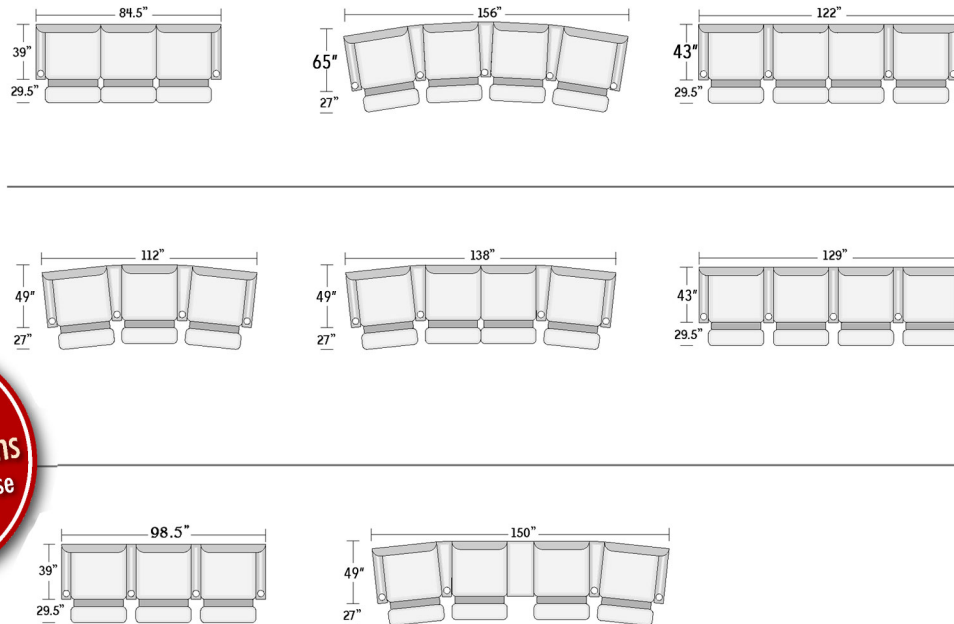
STYLE CONFIGURATIONS Custom-crafted to fit your vision



ATLANTA AUSTIN CHICAGO

ROOM SETTING CONFIGURATIONS Custom-configured to fit your home

Seat Depth 21"



FROM BEGINNING TO END
Let us help you
CREATE WHAT YOU IMAGINED

In more than two decades we've custom-crafted many thousands of fine leather furniture pieces – and we've learned a lot. We're ready to put that experience to work for you – from helping you choose the style, color, and leather that you want to helping make sure that the piece you choose fits perfectly where you want it.

We'll be glad to visit your home and take the necessary measurements, then deliver your piece and put it in place.

Let us help – it's all part of owning a Leather Creations custom-crafted original.

Your vision.
Your choice.

> styles > configurations > leather groups > color options www.LeatherCreationsFurniture.com

All sizes are approximate and silhouettes are not style specific. Great care has been put into these measurements but because we handcraft our furniture there could be a 1 - 3 inch discrepancy. If you have specific dimensions, please be sure to give us those measurements so we can give you a guaranteed measurement.